

## SC-10KV-277 SPD Surge Protective Device Max. Continuous Voltage 277VAC

Our Product Introduction

### Basic Information

- Place of Origin: Shenzhen, Guangdong, China
- Brand Name: SOCAY
- Certification: UL, REACH, RoHS, ISO
- Model Number: SC-10KV-277
- Minimum Order Quantity: 270PCS
- Price: Negotiable
- Delivery Time: 5-8 work days



### Product Specification

- Component Name: Surge Protective Devices (SPD)
- Component Size: 35×26×14mm
- Rated Operating Voltage: 220VAC
- Maximum Continuous Voltage: 277VAC
- Response Time: 65ns
- Cross-section Area: 1mm<sup>2</sup>
- Vn: 10kV
- L-N/PE: 1.2kV
- Highlight: **Surge Protective Device 277VAC, SPD Surge Protective Device**



for more products please visit us on [socaydiode.com](http://socaydiode.com)

## Product Description

### Max. Continuous Voltage 277VAC Surge Protective Device SC-10KV-277 SOCAY Original Factory

**Surge Protective Device DATASHEET: [SC-10KV-277\\_v2209.1.pdf](#)**

#### Surge Protective Device Product Introduction:

SOCAY Surge Protective Device SC-10KV-277 is a kind of power supply surge protector suitable for 220V power grid. We can use this Surge Protective Device in street lighting, landscape lighting, and so on. The shell of the product is made of flame-retardant material, and the product is made of potting glue. It has the characteristics of fire prevention, waterproof and dustproof. Protection grade up to IP67. Installation and application is very convenient, with L, N and PE connection line.

#### Surge Protective Device Features:

The Surge Protective Device has full mold protection function.

The size of the Surge Protective Device is small, 35×26×14mm (excluding the connecting wire).

It is a Class III power Surge Protective Device.

Parallel connection mode is adopted.

Adopt our company's new structure technology manufacturing, break through the conventional structure technology.

Surge Protective Device's Executive standard: IEC/EN:61643-11.

Its Operating Temperature Range: From 40 to +85

#### Surge Protective Device Applications:

Outdoor and Commercial LED Lighting.

Surge Protective Device used in Roadway lighting.

Surge Protective Device used in Traffic lighting.

Digital signage.

Security power supply.

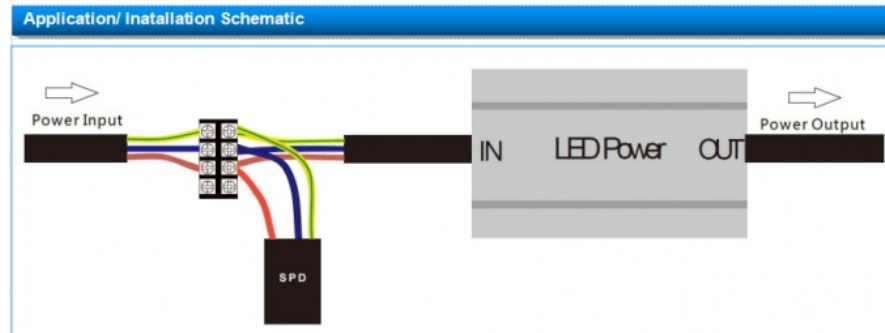
Surge Protective Device used in Wash wall lighting.

Parking garage lighting.

Flood lighting.

Tunnel lighting.

#### Surge Protective Device Application/ Inatallation Schematic:



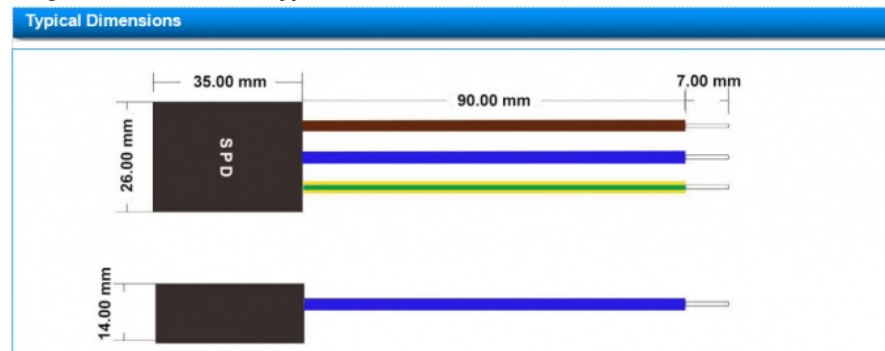
##### Notes:

1. The brown wire is L wire, the blue wire is N wire, and the yellow-green wire is the ground wire.
2. After the wire is installed, the product can be tied to the power supply with cable ties. Due to the small volume and weight of the product, it can also be placed freely as shown in Figure 2 of the installation example.

##### Notes:

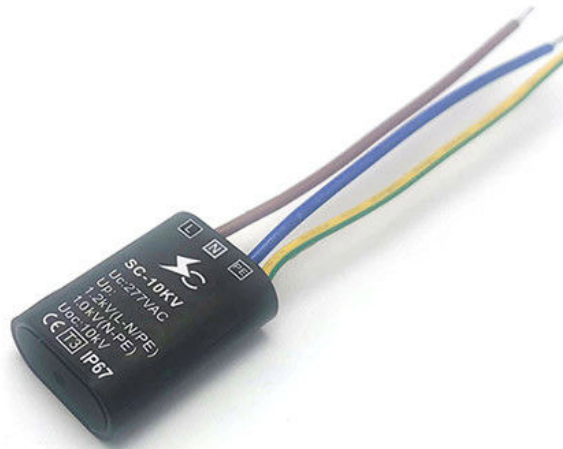
1. The Surge Protective Device's brown wire is L wire, the blue wire is N wire, and the yellow-green wire is the ground wire.
2. After the Surge Protective Device's wire is installed, the product can be tied to the power supply with cable ties. Due to the small volume and weight of the product, it can also be placed freely as shown in Figure 2 of the installation example.

#### Surge Protective Device Typical Dimension:



#### Surge Protective Device Packaging Information:

Part Number	Quantity
-------------	----------



 **Shenzhen Socay Electronics Co., Ltd.**

+8618126201429

sylvia@socay.com

socaydiode.com

4/F, Block C, HeHengXing Science & Technology Park, 19 MinQing Road, LongHua District, Shenzhen City,  
GuangDong Province, China